



**Electrolux**  
PROFESSIONAL

**PLUS - Static Preparation  
1200 mm Sink Unit with 2 Bowls  
and with Shelf**

ITEM # \_\_\_\_\_

MODEL # \_\_\_\_\_

NAME # \_\_\_\_\_

SIS # \_\_\_\_\_

AIA # \_\_\_\_\_



134114 (LSGLG1225E)

Sink Unit with 2 bowls and shelf, 1200mm

**Short Form Specification**

Item No. \_\_\_\_\_

Enhanced stability and solid construction thanks to the welded frame and legs. The 50mm high worktop in 304 AISI stainless steel, with Scotch Brite finishing 10/10 mm in thickness, has anti-drip edges, welded corners and overflow rim along the top. 2 welded and polish sink bowls in 304 AISI stainless steel supplied with overflow pipe and 2" drain hole. Upstand h=100mm with 10mm radius corner covered on the back with AISI 304 stainless steel spot welded profile. Square section legs and height adjustable feet (-20 +30 mm) in 304 AISI stainless steel. 40 mm-thick lower welded shelf in AISI 304 stainless steel slots easily into place at a height of 200 mm from the floor (compulsory to install the chest of drawers). Square section legs and height adjustable feet (-20 +30 mm) in 304 AISI stainless steel.

**Main Features**

- Enhanced stability and solid construction. Stability, loading and stress tests by external certified body.
- Product range suitable for international tenders requirements for intense usage installations.

**Construction**

- Welded frame and legs.
- Worktop with 50mm high profile, is in stainless steel Scotch Brite finishing, 10/10 in thickness with anti-drip edges and welded corners and overflow rim along the top.
- Sink bowl is sound-deadened, in polish stainless steel overflow pipe and 2" drain hole.
- Drainers are sound-deadened with stainless steel reinforcement bars.
- Upstand back completely covered with Stainless Steel welded profile.
- Lower shelf has 40mm high profile, is 8/10 in thickness with upturned edges and bar reinforcement welded to legs for further structure reinforcement.
- Square section legs (40x40mm, 10/10 in thickness) and height-adjustable feet (-20/+30mm).
- Accessories:-set of castors as alternative to the feet, can be fitted as optional.
- Constructed entirely in 304 AISI stainless steel.

**Optional Accessories**

- Double plastic drain syphon 2 " for sinks PNC 850022
- Set of 4 wheels (2 with brake), diameter=100mm PNC 855205
- Single plastic drain syphon 2 " for Sinks PNC 895313

APPROVAL: \_\_\_\_\_

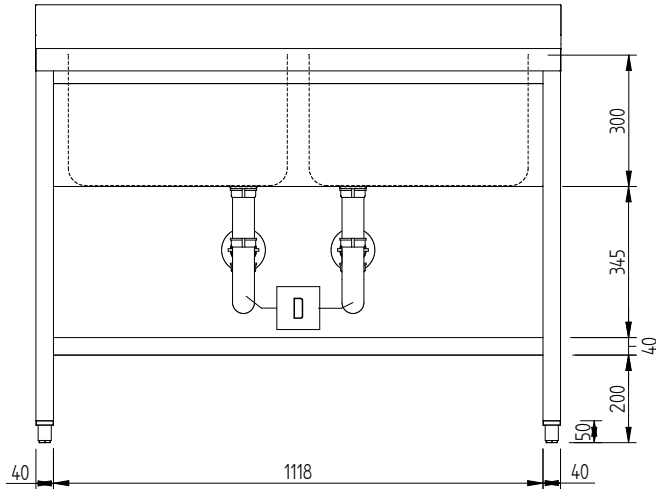


Experience the Excellence  
www.electroluxprofessional.com

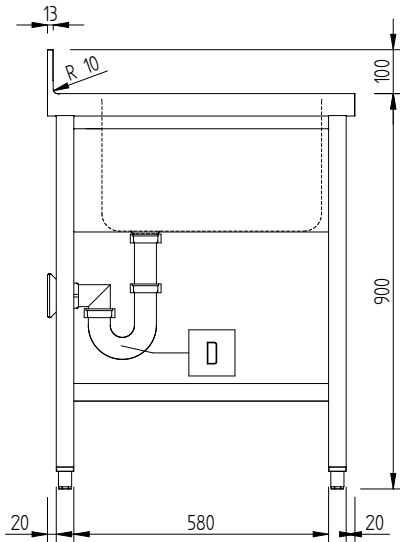
### Key Information:

<b>External dimensions, Width:</b>	1200 mm
<b>134114 (LSGLG1225E)</b>	
<b>External dimensions, Depth:</b>	700 mm
<b>External dimensions, Height:</b>	1000 mm
<b>Upstand Dimensions, Height:</b>	100 mm
<b>Upstand Dimensions, Depth:</b>	13 mm
<b>Upstand Dimensions, Radius:</b>	R=10
<b>Bowls number</b>	2
<b>Bowl dimensions</b>	500x500xH300
<b>Worktop thickness:</b>	50 mm
<b>Net weight:</b>	44 kg

Front



Side



Top

